

I AM  
DEMANDING



X MIND  
trium

The outstanding visualisation  
for the most demanding  
results

I WANT A COMPREHENSIVE AND



X MIND  
trium

# SUPERIOR IMAGE QUALITY

X-Mind Trium is equipped with an acquisition and reconstruction algorithm which ensures a perfectly uniform and high quality image on all visual axes

# EFFECTIVE SOLUTION

ACTEON  
imaging suite

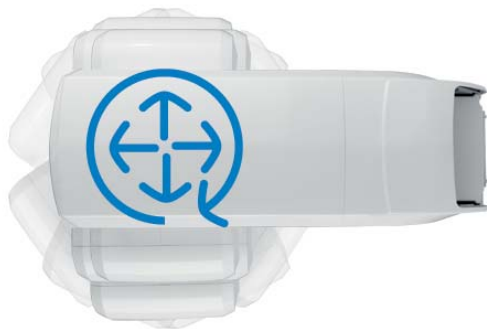
## HIGH LEVEL 3D SOFTWARE

Acteon Imaging Suite offers advanced functionalities and an intuitive mouse-enabled navigation experience



# I WANT THE BEST RESULTS

## THE REASONS TO PREFER X-MIND TRIUM



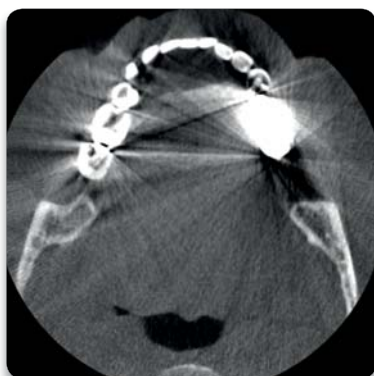
.FULL 360° ROTATION for the highest quality acquisition

.75  $\mu\text{m}$  RESOLUTION for precise detail

.4 F.O.V. to select the scanning area for examination and to minimise radiation exposure to patients

.ARTEFACTS REDUCTION FILTER for better differentiation of the tissues (bone/tooth/metal) and the opportunity to rebuild the image at any time with different filter levels

*Without STAR*

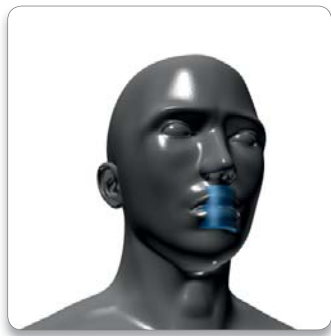


*With STAR*



# WIDE CHOICE OF F.O.V.

- A field of view of 40 x40 mm with a sharper resolution at 75  $\mu$ m during root canal treatment or local periodontal lesions
- Fields of view of 60 x60 mm or 80 x80mm for optimum implant positioning or general periodontal problems
- A field of view of 110 x 80mm for complete overview in one shot, of the dentition, the mandibular canal and the sinuses



ø 40x40 mm



ø 60x60 mm



ø 80x80 mm



ø 110x80 mm

# PATIENT SAFETY IS GRANTED THANKS TO LIMITED EXPOSURE TO RADIATION

Thanks to the pulsed mode acquisition, the selectable F.O.V. and high sensitivity CMOS sensor, the patient receives a minimal dose for optimal image quality

# I WANT AN IMPLANT PLANIF

## BETTER QUALITY OF LIFE FOR YOUR PATIENTS



Looking beyond the simple replacement of missing teeth, the general increase in life expectancy and the patient's esthetic demands facilitates development in implant procedures

Whilst benefiting from the most recent reparative techniques, patients can now improve their quality of life



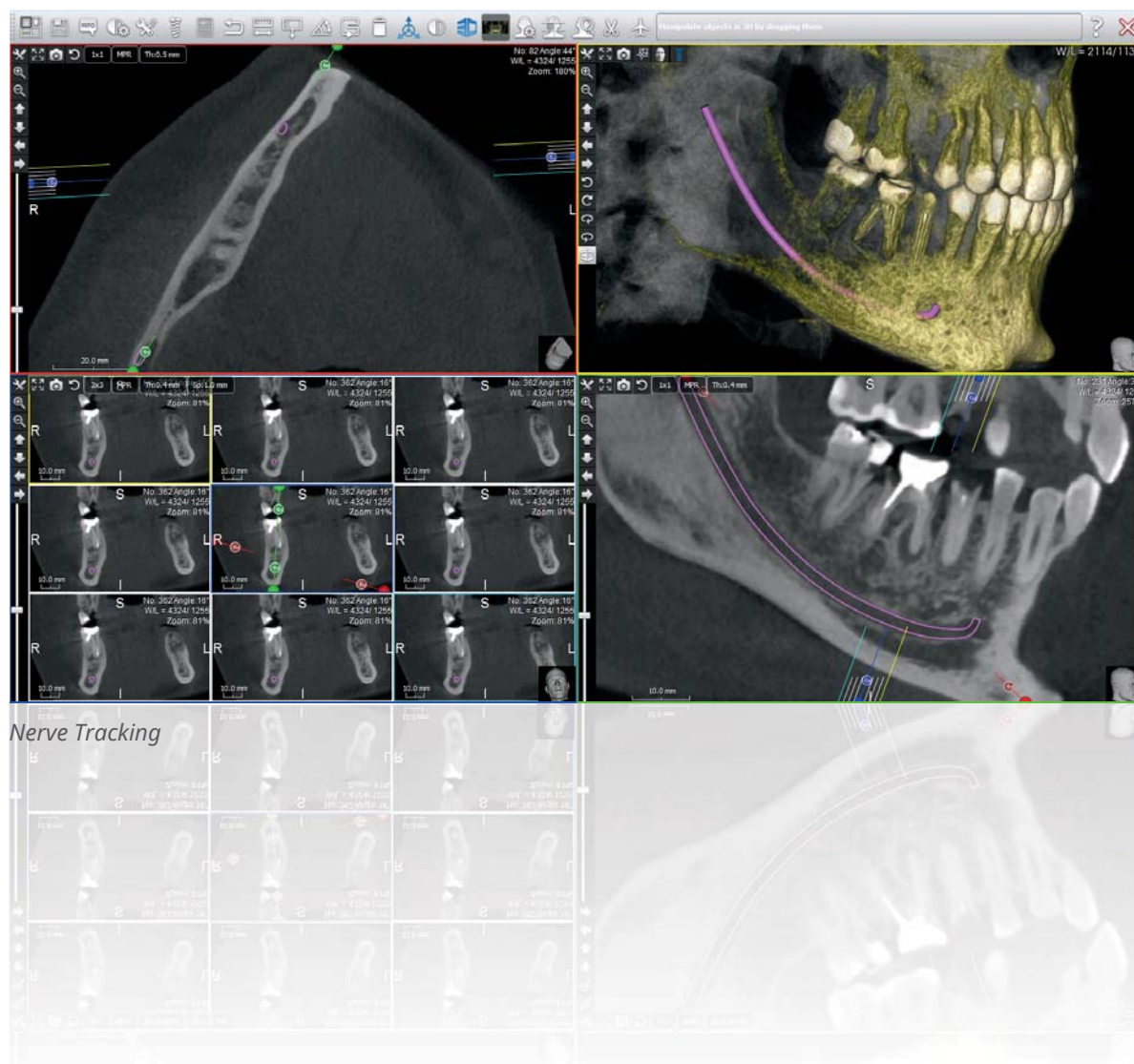
*Implant planning*



# ICATION PROGRAM

## THE ESSENTIAL PART OF IMPLANT PLANNING

- X-Mind Trium is a key tool for treatment planning and post-procedure follow-up
- By displaying highly accurate 3D images of the anatomy of the patient in one scan, X-Mind Trium provides entire comprehension of the patient's arch
- X-Mind Trium allows accurate evaluation of bone density and the positioning of the anatomic structures to be able to fix implants
- In addition to this, 3D imaging enables the size and shape of the implants to be made in proportion to the morphology of the patient

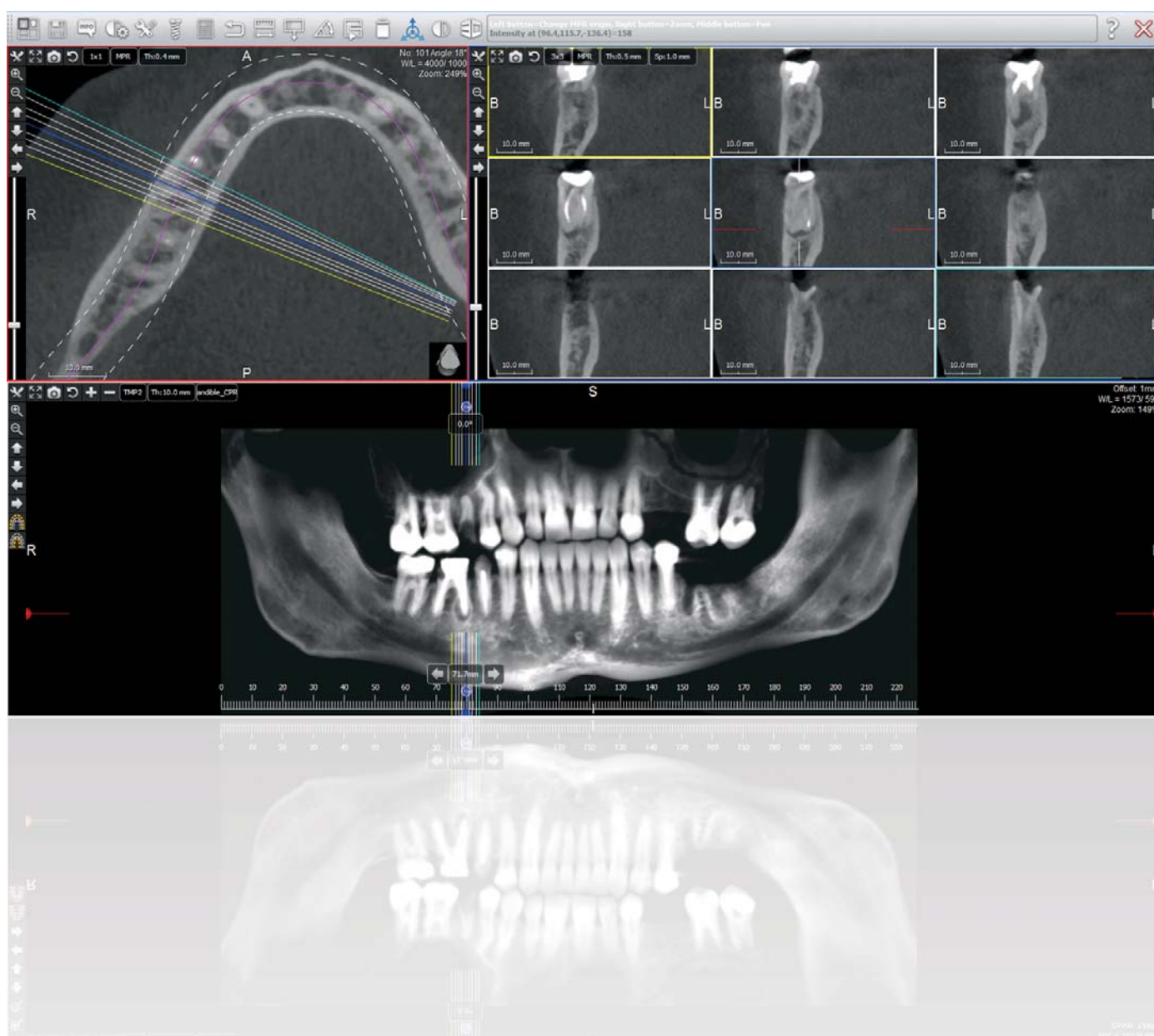


# I WANT CLEAR AND SHARP IM



## EASY CROSS SECTION

Navigate through the airways or the mandibular nerve canal as with an endoscope. You will be amazed by the clarity offered from this non-intrusive method

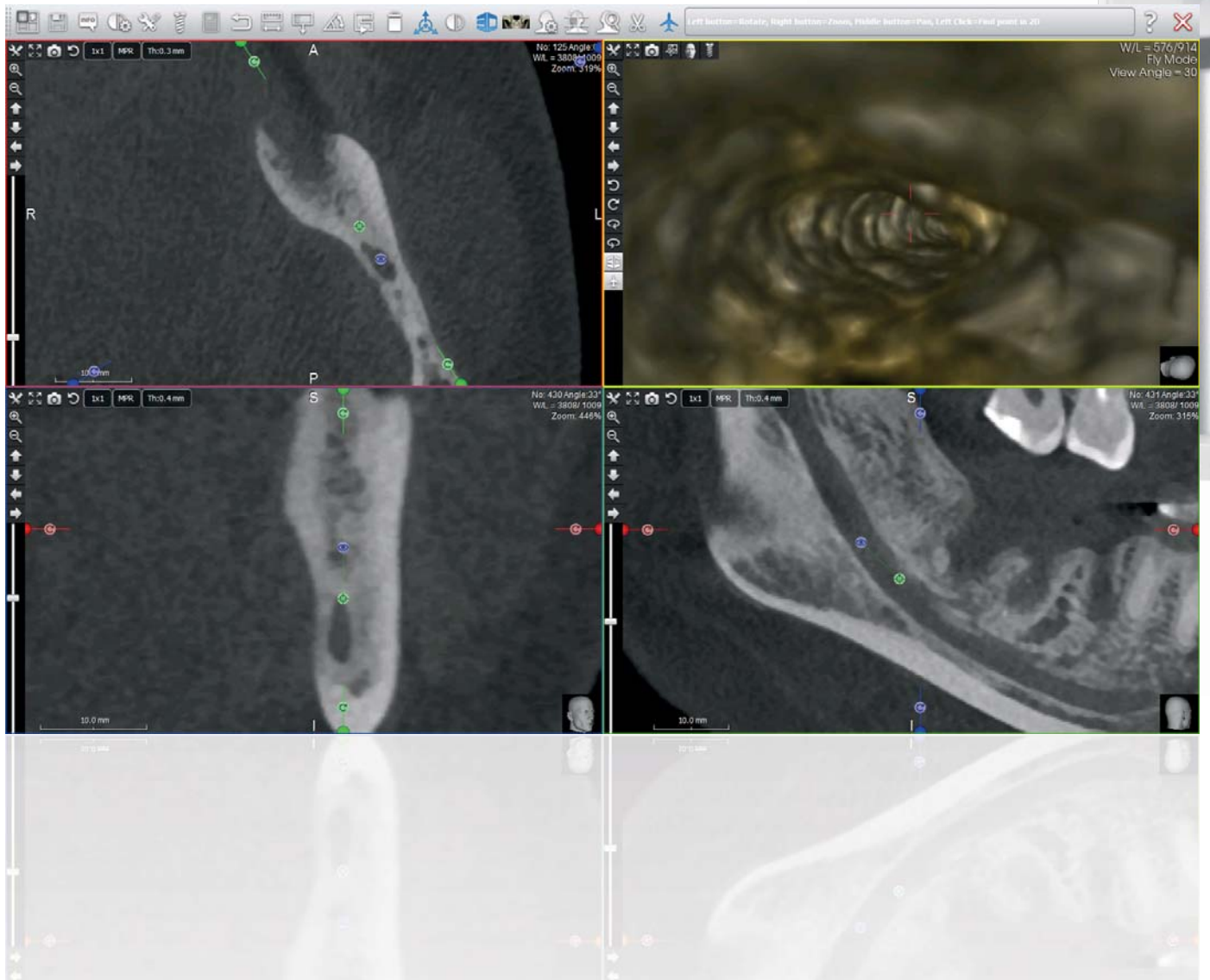




# AGES

## VIRTUAL ENDOSCOPE

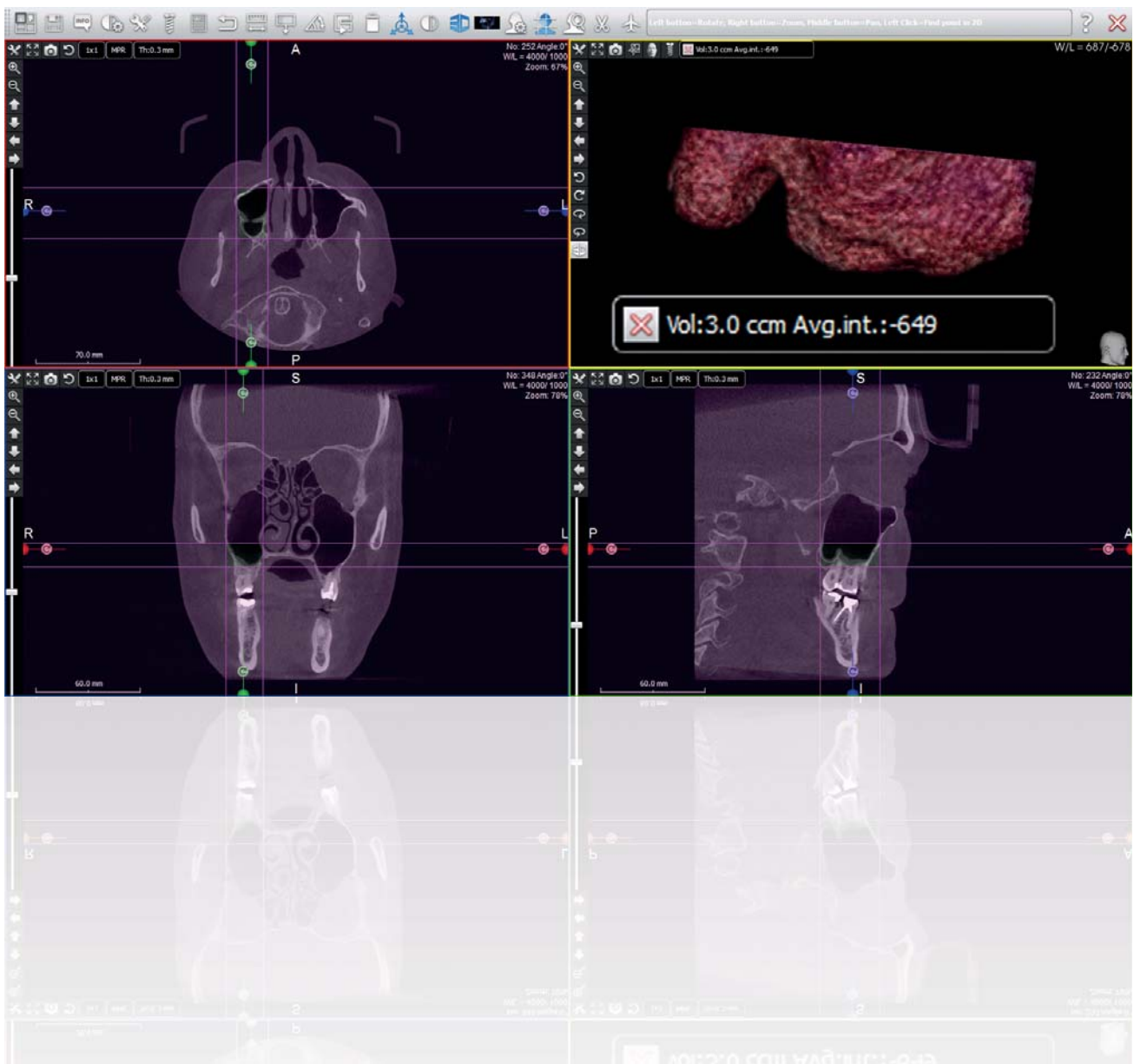
Navigate through the airways or the mandibular nerve canal as with an endoscope. You will be amazed by the clarity offered from this non-intrusive method



# I WANT TO IMPROVE MY DIA

## SINUS LIFT BIOMATERIAL VOLUME CALCULATION

ACTEON Imaging Software 3D App has various different measuring tools such as distance, surface and angle measurement. The most sophisticated one is the volume calculation tool that calculates the volume of biomaterial needed for sinus lift surgery



# GNOSIS AND MY SURGERY

## GUIDED SURGERY

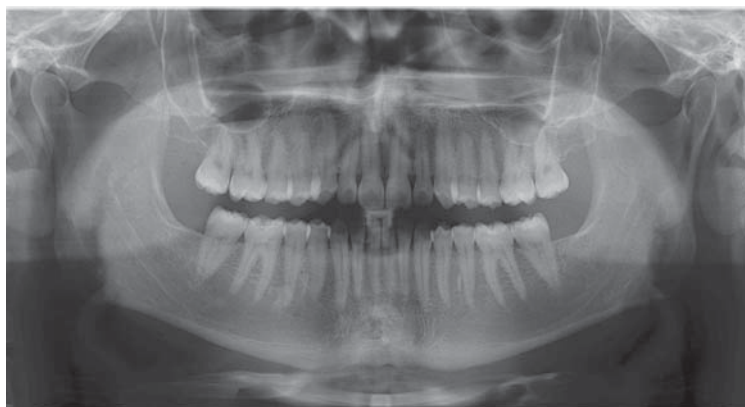
ACTEON Imaging Suite can import and export image data generated from X-Mind Trium acquisitions, optical scanners or implant database in STL format so that you have a fully comprehensive view



# I ALSO WANT PANORAMIC AND



## PANORAMIC RADIOGRAPHY



## TMJ SECTIONS

Both open and closed mouth images

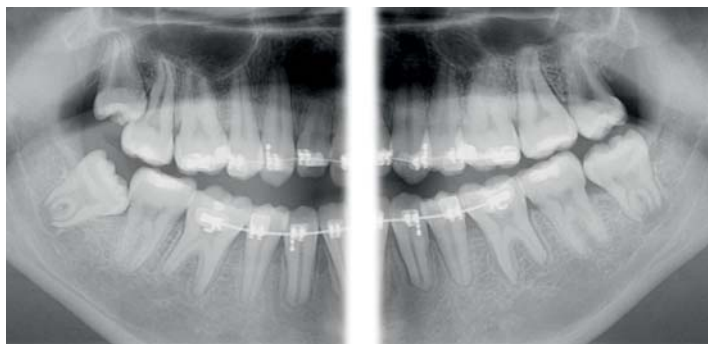


## IMPROVED EQUILATERAL PANORAMIC IMAGE

X-ray beam perpendicular to the jaw  
for a superior equilateral view  
and reduction in the overlap of crowns



# CEPHALOMETRY



## BITEWING

A quick Bitewing image in one shot



## MAXILLARY SINUS

Frontal and lateral views of the maxillary sinus and paranasal area



## CEPHALOMETRIC RADIOGRAPHY



## LATERAL FULL SKULL



## POSTERIOR ANTERIOR

Thanks to its patented cinematic and collimation techniques, positioning the patient is easier on X-Mind Trium

Install the cephalometric arm on whichever side fits according to the ergonomic of your cabinet

# I WANT 3 SOLUTIONS IN 1

## CHOOSE NOW, UPGRADE LATER

- X-Mind Trium has an extensive range of options and upgrades
- X-Mind Trium will adapt to the ever increasing needs of your clinic by adding 3D imaging or digital cephalometric modalities when you decide it is necessary



X-Mind Trium Pan



X-Mind Trium Pan 3D

Pan	<input checked="" type="radio"/>	<input checked="" type="radio"/>
3D	<input type="radio"/>	<input checked="" type="radio"/>
Ceph	<input type="radio"/>	<input type="radio"/>



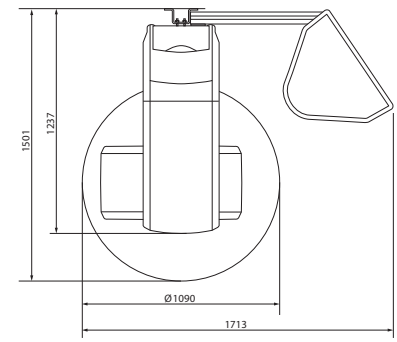
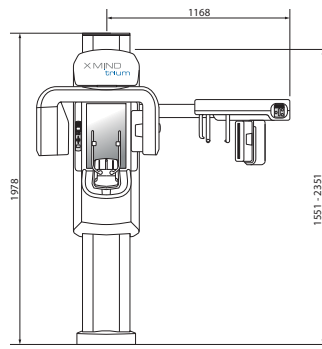
X-Mind Trium Pan Ceph

- 
- 
- 



X-Mind Trium Pan Ceph 3D

- 
- 
-



# TECHNICAL SPECIFICATIONS

	PANORAMIC	CBCT	CEPHALOMETRIC
<b>X-RAY SOURCE</b>			
Tube type	High frequency DC generator		
Total filtration	2.8 mmAl @ 85 kV	7.0 mmAl @ 90 kV	2.8 mmAl @ 85 kV
Mode of operation	Continuous	Pulsed	Continuous
Tube voltage	60 - 85 kVp	80 - 90 kVp	60 - 85 kVp
Anodic current	4 - 10 mA	4 - 12 mA	4 - 10 mA
Focal spot	0.5 mm	0.5 mm	0.5 mm
<b>DETECTOR</b>			
Type	CMOS	Flat Panel CMOS	CMOS
FOV and format	260 x 148 mm	ø 40 x 40 mm, ø 60 x 60 mm, ø 80 x 80 mm, ø 110 x 80 mm (nose)	240 x 220 mm
Pixel size	Pixel : 100 µm	Voxel : 75 µm	Pixel : 100 µm
<b>ACQUISITION</b>			
Technique	Single scan	360° Single scan	Single scan
Exposure time	16.8 s	4 - 12 s	18 s
Scanning time	16.8 s - 25 s	12 - 30 s	23 s
Programs	Standard, child, Improved Orthogonality Panoramic, bitewings, maxillary sinus, TMJ	Semi-arch, arch, full arch, sinus, ear	Frontal PA, Frontal AP, Lateral LL, option : Carpus
Reconstruction time	3 s	29 s	4 s
<b>IMAGE FORMAT</b>			
	JPEG, BMP, PNG, TIFF	DICOM 3.0, STL	JPEG, BMP, PNG, TIFF
<b>MECHANICAL DATA</b>			
Max footprint dimensions	L 150 x W 110 cm		L 150 x W 172 cm
Height	Max: 235 cm		
Weight	170 kg (PAN)	185 kg (PAN-CBCT)	215 kg (PAN-CEPH)
<b>IEC</b>			
Class and Type	Class I, Type B		
<b>WORKSTATION (included with CBCT)</b>			
CPU	Intel Xeon 2 GHz		
Hard disk	1 TB		
Graphic Processor	NVIDIA (CUDA environnement GPU family)		
RAM	8 GB		
NIC Network card	Dedicated Gb Ethernet for X-Mind trium conn		
Operating system	Windows 7 Pro 64 bits		

X-Mind Trium®, 3 in 1 extra oral imaging device (3D CBCT, Panoramic and Cephalometric).

This medical device is classified IIb according to the current applicable European Directive. It is CE marked. Notified Body : DNV - CE 0434. It is a class II device according to **CFR Title 21 subchapter H**. This medical devices dedicated to dental cares is restricted to health staff ; it is not reimbursed by health insurance organizations. This device was developed and manufactured according to the EN ISO 13485 quality control certification system and according to **CFR Title 21 subchapter H part 820 Quality system regulation**. Read carefully the user manual. Manufacturer : de Götzen (Italy). Date of creation : January 2016.

