

X-Smart IQ™

A continuous and reciprocating motion cordless motor controlled by an Apple iOS® application.

It is a complete solution designed to:

- Give you more freedom when shaping
- Support you throughout the endodontic treatment
- Prepare your practice for the future



- Complete freedom
- Endo partner
- Future proof

Technical Specifications

Motor and Contra-Angle

- **Bluetooth® memory function:** If the Bluetooth® connection is lost, the X-Smart IQ™ motor can still function under the last motor settings used
- **Stand-alone function:** Using the application, the motor can be set to run solely with reciprocating or continuous* settings without the iPad® to control it
- **Reciprocating and continuous motions**
- **Calibration function (CAL)** for more precise torque setting
- **Auto-reverse rotation at preset torque limit** (in both motions)
- **Lithium-ion battery**
 - Autonomy for 16 treatments**
 - Full recharge in 6 hours
 - Automatic sleep mode and auto-power off
 - Motor handpiece is rechargeable during treatment
- **Torque range:** 0.5Ncm - 5Ncm (depending on maximum speed)
- **Speed range:** 250rpm - 850rpm
- Contra-angle head autoclavable at 134°C
- Universal charger (100-240V, 50 Hz / 60 Hz)

*Speed = 300rpm and torque = 2Ncm **A treatment is defined as 2 canals with 4 files per canal used for 30s each

Endo IQ™ Application

- Includes file library with preset programs for WaveOne® Gold, WaveOne®, Protaper Next®, Protaper Gold™, Protaper Universal®, Profile®, Pathfile® and ProGlider® files
- Customizable file library and compatible with other shaping systems
- Can control 2 handpieces for 4-hand technique
- Possibility to set-up multiple users
- Compatible with latest iOS®

Endo IQ™ iPad® Mini Protective Case

- Dimensions
 - Landscape 209x140x86mm
 - Portrait 144x125x196mm
- Optimal results with nitrile gloves (non-latex preferred)
- Compatible with iPad Mini™ 1, 2, 3 and 4
- Water-resistant*

*iPad inside the iPad Protective Case functions after 10min of dropping water (protocol according to IEC 60529 (IPX2)).

Product References

X-Smart IQ™

Endodontic Handpiece Set
A105480000000

- Set contains:**
- X-Smart IQ™ Motor Handpiece
 - X-Smart IQ™ Contra-angle

Basic Starter Kit

A105400000000

- Kit contains:**
- X-Smart IQ™ Motor Handpiece
 - X-Smart IQ™ Contra-angle
 - Endo IQ™ iPad Mini™ Protective Case

X-Smart IQ™

WaveOne® Gold Starter Kit
A105410000000

- Kit contains:**
- X-Smart IQ™ Motor Handpiece
 - X-Smart IQ™ Contra-angle
 - Endo IQ™ iPad Mini™ Protective Case
 - 5 blisters WaveOne® Gold Primary, 25mm (15 files)
 - 4 blisters WaveOne® Gold Assortment, 25mm (16 files)
 - 1 blister ProGlider®, 25mm (3 files)

X-Smart IQ™

Protaper Next® Starter Kit
A105420000000

- Kit contains:**
- X-Smart IQ™ Motor Handpiece
 - X-Smart IQ™ Contra-angle
 - Endo IQ™ iPad Mini™ Protective Case
 - 10 blisters Protaper Next® Assortment X1-X3, 25mm (30 files)
 - 1 blister ProGlider®, 25mm (3 files)

X-Smart IQ™

Protaper Gold™ Starter Kit
A105430000000

- Kit contains:**
- X-Smart IQ™ Motor Handpiece
 - X-Smart IQ™ Contra-angle
 - Endo IQ™ iPad Mini™ Protective Case
 - 1 blister assorted files (6 files)
 - 1 blister of S1 (6 files)
 - 1 blister of S2 (6 files)
 - 1 blister of F1 (6 files)
 - 1 blister of F2 (6 files)
 - 1 blister ProGlider®, 25mm (3 files)

Spare Parts

A105100000000	X-Smart IQ™ Contra-angle
A105800000000	X-Smart IQ™ Handpiece Sleeves
A105220000000	Endo IQ™ iPad Mini™ Protective Case
A105300000000	X-Smart IQ™ Universal Charger
A105820000000	X-Smart IQ™ Contra-angle Cleaning Adapter
A105810000000	X-Smart IQ™ Spray Adapter
A105210000000	X-Smart IQ™ Handpiece Support and Case

Apple, iPad and iPad Mini are trademarks of Apple Inc., registered in the U.S. and other countries. App Store is a service mark of Apple Inc. iOS is a trademark or registered trademark of Cisco in the U.S. and other countries and is used under license. The Bluetooth® word mark and logos are registered trademarks owned by Bluetooth SIG, Inc. and any use of such marks by Dentsply is under license.

M Maillefer Instruments Holding Sàrl
 Chemin du Verger 3 - 1338 Ballaigues - Switzerland
 Phone: +41 (0)21 843 92 92 info@dentsplymailefer.com
 www.dentsplymailefer.com

Dentsply Sirona
 Endodontics

+ WE KNOW ENDO.

INL/B-EN-XS IQ BRC 000 / 00/2017 - created 03/2017 - Technical modifications on our products are not subject to notifications. Photos of our instruments are not contractual.



X-Smart IQ™

Touch the future today

Dentsply Sirona
 Endodontics

Complete freedom of movement



A slim, well-balanced and cordless handpiece

Battery autonomy for 16 treatments* and rechargeable during treatment



Easy access and excellent visibility

Miniature head with 360° adjustable contra-angle head



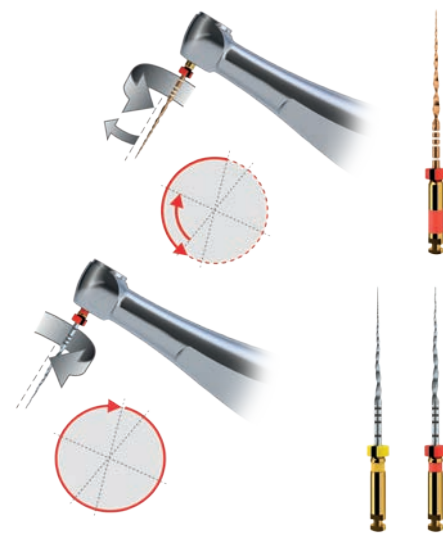
Quickly switch from reciprocating to continuous motion

WaveOne® Gold Reciprocating Files

The latest reciprocating technology to shape the canal with confidence

Protaper Next® Endodontic Files

The next generation of the endo reference for performance and versatility



Designed for your demanding environment



Powerful capabilities of an iOS® app



Set the right expectation

Explain the endodontic treatment to your patient.



Flow through your sequence with peace of mind

Select a file sequence **or** Easily create your own file sequence



Feel safe

Instant torque level indication: visual and audible sound

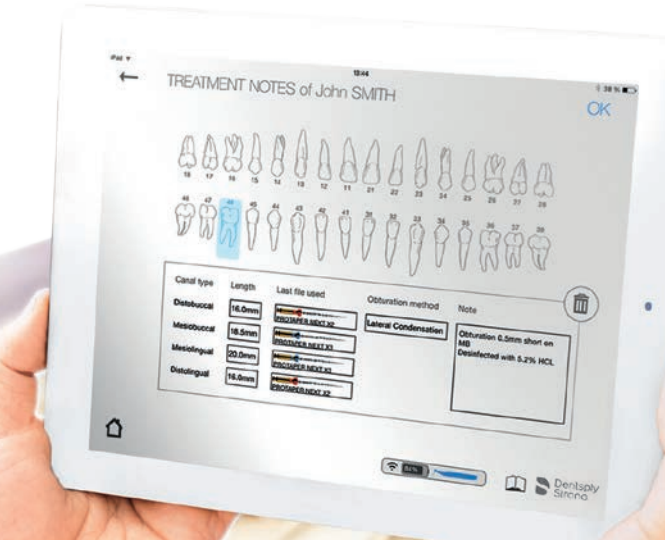


Auto-reverse function available in continuous and reciprocating motion



Facilitate treatment data capture and transfer

- Associate basic treatment notes (tooth number, working length, last file used, obturation, notes) to a specific patient
- Transfer your treatment report to your patient file



*A treatment is defined as 2 canals with 4 files per canal used for 30s each